

READ IT OR WATCH IT



Read instructions or watch easy-to-follow video. Scan QR code or visit <https://goo.gl/pcA5TY>



Table of Contents

Congratulations on your purchase of the GE-branded Universal Remote. This remote is capable of operating thousands of audio/video devices, including TVs, Blu-ray™/DVD players, streaming media players, sound bars, cable receivers and more!

SAVE THIS MANUAL AND CODE LIST FOR FUTURE REFERENCE

Introduction.....	2
Setup	3
Button Functions	4
Programming Your Remote.....	6
Direct Code Entry.....	6
Auto Code Search	7
Controlling Combo Devices	9
Color-Select Backlit Function.....	9
Using Your Remote	10
Master Volume Feature.....	10
Code Identification	11
Reset to Factory Settings.....	11
Troubleshooting	12
Warranty	13
FCC Statement.....	14

Setup

Your universal remote requires (2) AAA batteries (not included). Alkaline batteries are recommended.

Battery Installation

1. On the back of the remote, pull down on the textured surface and slide battery cover downward to remove.
2. Match the (+) and (-) marks on the batteries to the (+) and (-) marks inside the battery compartment, then insert (2) AAA batteries. Be sure to use fresh batteries.
3. Position battery cover slightly below opening and push upward to lock into place.

NOTE: *If your remote stops operating properly, replace the batteries.*

Battery Precautions

- Do not mix old and new batteries.
- Do not mix alkaline, standard (carbon-zinc), or rechargeable (Ni-Cd, Ni-MH, etc.) batteries.
- Always remove old, weak or worn-out batteries promptly and recycle or dispose of them in accordance with local and national regulations.

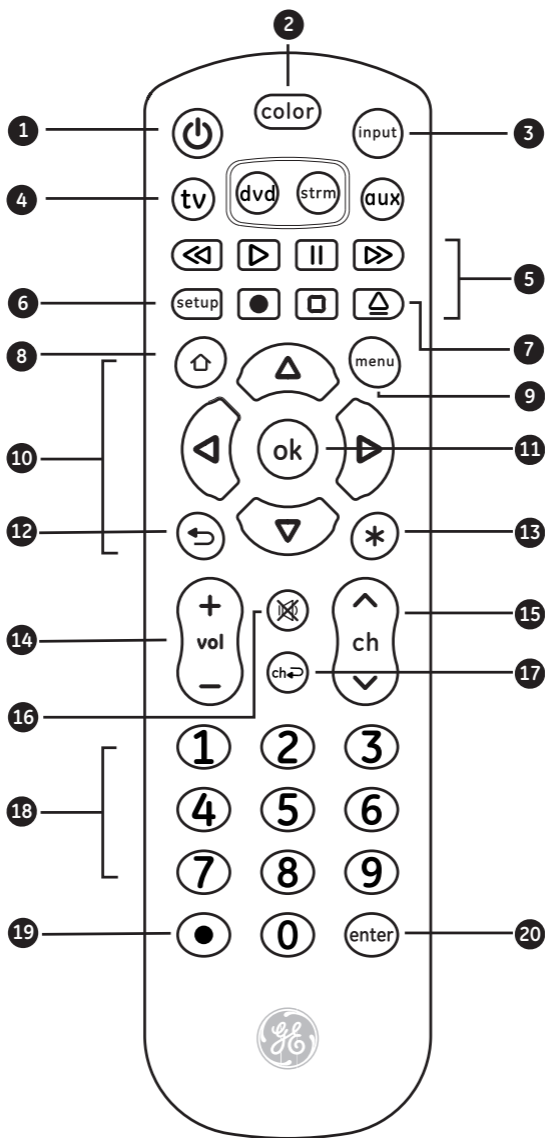
Battery Saver

Your remote automatically turns off if the buttons are depressed more than 8 seconds. This will save your batteries should your remote get stuck in a place where the buttons remain depressed (e.g., between the sofa cushions).

Code Saver

You have up to 10 minutes to change the batteries in your remote without losing programmed codes.

Button Functions



Button Functions

1. **Power** - Turns devices ON/OFF
2. **Color-Select Backlit** - Five backlight color options – blue, green, white, red and yellow
3. **Input** - Selects video inputs
4. **TV, dvd, strm, aux** - Selects the device to control
5. **Record, play, stop, rewind, fast forward, pause**
6. **Setup** - Used to program the remote
7. **DVD open/close** - Open/close a player, or **List** features on cable/satellite receivers
8. **Home/guide** - Easily access features on streaming devices, or channel guide on cable/satellite receivers
9. **Menu** - Displays the on-screen menu
10. **Navigation arrows** - Moves up, down left and right in menus
11. **Ok** - Selects menu items for the controlled device
12. **Exit** - Exit on-screen menus
13. **Info** - Displays on-screen show/content details
14. **Volume up/down** - Controls audio on selected device
15. **Channel up/down** - Scrolls through channels
16. **Mute** - Mutes sound
17. **Previous channel** - Returns to the previously selected channel
18. **Numbers** - Enter numbers for direct channel selection
19. **Dot (•)** - Select, digital subchannels, e.g., 4.1
20. **Enter** - Assists in channel selection on some devices

Programming Your Remote

Your remote is designed to control multiple audio/video devices. To use, you will need to program the remote for your devices. There are two different methods you can use to program the remote, **Direct Code Entry** or **Auto Code Search**.

- The **Direct Code Entry** method is the recommended method as it is the simplest and quickest method in most cases.
- The **Auto Code Search** method searches through all the codes in the remote to find a code for your device.

Note: This remote comes preprogrammed for Roku® boxes and Samsung TVs. Press **TV** for Samsung TVs and **strm** for Roku boxes.

Direct Code Entry (Recommended)

1. Locate the **Code List** included with your remote. Find the section for the type of device you wish to control, (for example **TV, dvd, strm, aux**). Locate the brand of your device and circle all the remote codes for the brand.

setup

2. Press and hold down the **SETUP** button on the remote until the red light on the remote control turns on. Release the **SETUP** button. The red light will remain on.

Note: The red light will either be a small light at the top of the remote or the power ON/OFF button.

tv

3. Press and release the device button on the remote for the type of device you wish to control, (for example **TV, dvd, strm, aux**). The red light will blink once and remain on.

Note: Any of the device buttons on the remote can be programmed to control any of your devices. For example, you can use the **Aux** device button on the remote to control a Cable Box, Satellite Receiver, Digital Converter Box, Streaming Media Player or any device category in the Code List.

4. Use the number buttons on the remote to enter the first 4-digit remote code you circled in the **Code List** in Step 1.

① ② ③
④ ⑤ ⑥
⑦ ⑧ ⑨
⑩

Programming Your Remote

The red light will turn off after entering the fourth digit.



5. Point the remote at the device. Test the buttons on the remote to see if the device responds as you would expect. If the buttons do not operate the device, return to Step 2 above and use the next code that you circled for that device.
6. Repeat Steps 1 – 5 for each device you wish to control.

Programming Notes

- Some codes may operate only a few functions of your device. There may be another code in the **Code List** that controls more functions. Test other codes in the **Code List** for more functionality.
- If you do not find a remote code that works your device or there are no codes in the **Code List** for your device, use the **Auto Code Search** method in the next section to program your remote.
- For combination devices such as a TV/Dvd combo or TV/ VCR combo, you may have to enter a code for each device. (See **Controlling Combo Devices**, pg. 9.)
- Write down the remote codes used to program the remote for future reference.

Auto Code Search

The Auto Code Search is a process where you can search through all the codes stored in the remote to find a code for your device. It is recommended that you read through all the steps below to familiarize yourself with the **Auto Code Search** before starting the process.

1. Manually turn on the device you wish to control.

Note: The Auto Code Search process cannot be used for devices without power ON/OFF capability. Use the Direct Code Entry method in these cases.

2. Press and hold down the **SETUP** button on the remote until the red light on the remote control turns on. Release the **SETUP** button. The red light will remain on.

A rectangular button with rounded corners and the word "setup" written inside in a lowercase, sans-serif font.

Programming Your Remote

Note: The red light will either be a small light at the top of the remote or the power ON/OFF button.



3. Press and release the device button on the remote for the type of device you wish to control, (for example **TV, dvd, strm, aux**). The red light will blink once and remain on.



4. With the remote pointed at the device, press and release the **POWER** button on the remote. The remote will send 10 different codes to the device. The red light will blink once for each code and remain on after sending the 10 codes.

Did the device turn off?

- If **YES**, go to Step 5.
- If **NO**, repeat Step 4 to test the next 10 codes.

5. Manually turn the device back on.

6. With the remote pointed at the device, press and release the **VOL +** button. The remote will re-send the first code of the 10 codes from Step 4. The red light will blink once and remain on.



Did the device turn off?

- If **YES**, you have found a code for the device. ***Press and release the same device button you pressed in Step 3.*** This will store the code in the remote. Go to Step 7.

- If **NO**, continue to press and release the **VOL +** button until the device turns off to test the other 9 codes from Step 4. Be sure to wait approximately **3 seconds** after each **VOL +** button press to allow the device time to respond to the code. When the device turns off, you have found a code for your device. ***Press and release the same device button pressed in Step 3.*** This will store the code in the remote. Go to Step 7.



Programming Your Remote

Notes:

- The VOL – button can be used to go backwards through each batch of 10 codes.
- The red indicator light will flash 2 times after testing the first or last code in each batch of 10.

7. Use the remote to turn the device back on. Test the buttons on the remote to see if the device responds as you would expect. If the buttons do not operate the device, return to Step 2 and repeat this process to search for a better code to operate the device.



8. Repeat this process for each device you wish to control.

Controlling Combo Devices

Some combo devices (e.g. TV/VCR, TV/DVD, DVD/VCR, etc.) will require you to set up two different device buttons to control both parts of the combo device. For example, if you have a TV/DVD combo, you may need to set up one code under the **TV** button to control the TV and a separate code under the **dvd** button to control the DVD.

Color-Select Backlight Feature

Choose from five color options or turn off the backlight.



1. Press and release the **COLOR** button to cycle through five color options – blue, green, white, red and yellow.
2. When the desired backlight is selected, the remote keys illuminate in that color when any button is pressed.

Master Volume Feature

The Master Volume Feature allows you to select a single device that the volume buttons always control. For example, the remote can be in TV mode while the volume buttons control the volume on your audio receiver or sound bar instead of your TV.

Enabling the Master Volume Feature



1. Press and hold down the **SETUP** button on the remote until the red light on the remote control turns on. Release the **SETUP** button. The red light will remain on.



2. Press and release the device button (**TV, dvd, strm, aux**) on the remote for the device you wish to control the volume.



3. Press and release the **MUTE** button.



4. Press and release the **VOL+** button. The red light will blink twice and turn off.

Disabling the Master Volume Feature



1. Press and hold down the **SETUP** button on the remote until the red light on the remote control turns on. Release the **SETUP** button. The red light will remain on.



2. Press and release the device button (**TV, dvd, strm, aux**) programmed to control the Master Volume Feature.



3. Press and release the **MUTE** button.



4. Press and release the **VOL -** button. The red light will blink twice and turn off.

Using Your Remote

Code Identification

setup

1. Press and hold down the **SETUP** button on the remote until the red light on the remote control turns on. Release the **SETUP** button. The red light will remain on.

tv

2. Press and release the desired device button (**TV, dvd, strm, aux**) you would like the code for.

enter

3. Press and release the **ENTER** button.

① ② ③
④ ⑤ ⑥
⑦ ⑧ ⑨
⑩

4. Press and release the **#1** button. Count the number of times the remote light flashes. This is the number corresponding to the first digit of the code. Repeat the process by pressing the **#2, #3** and **#4** buttons for the remaining digits.

enter

5. Press and release the **ENTER** button to exit this mode.

Reset to Factory Settings

setup

1. Press and hold down the **SETUP** button on the remote until the red light on the remote control turns on. Release the **SETUP** button. The red light will remain on.

⊗

2. Press and release the **MUTE** button.

0

3. Press and release the number **#0** button. The red indicator light will flash twice.

Troubleshooting

Remote Does Not Operate Your Device

- Make sure the batteries are fresh and installed correctly.
- Aim the remote directly at your device, and make sure there are no obstructions between the remote and device.
- Make sure the appropriate device is selectable — **tv** for **tv** and **aux** for sound bar.
- Program the remote with a different code. See **Direct Code Entry** section.
- Remote may not be compatible with your device.

Remote Does Not Operate Some Device Features

- A particular code might operate a few features but not all. Program the remote with a different code from the code list. See **Direct Code Entry** section.
- Remote may not be able to operate all features of your device or button names may be different than that of your original remotes.



Read instructions or watch
easy-to-follow video. Scan QR
code or visit <https://goo.gl/pcA5TY>

If you have any questions or need additional information please, visit **www.byjasco.com**, or contact our **U.S.-based Consumer Care at 1-800-654-8483**, Monday-Friday 7AM-8PM CST.

90-Day Limited Warranty

Jasco Products Company warrants this product to be free from manufacturing defects for a period of ninety days from the original date of consumer purchase. This warranty is limited to the repair or replacement of this product only and does not extend to consequential or incidental damage to other products that may be used with this unit. This warranty is in lieu of all other warranties express or implied. Some states do not allow limitations on how long an implied warranty lasts or permit the exclusion or limitation of incidental or consequential damages, so the above limitations may not apply to you. This warranty gives you specific rights, and you may also have other rights which vary from state to state. If unit should prove defective within the warranty period, return prepaid with dated proof of purchase to address below:

Jasco Products Company
10 E Memorial Rd.
Oklahoma City, OK 73114

FCC Statement

This device complies with Part 15 of the FCC Rules. Operation is subject to the following two conditions: (1) this device may not cause harmful interference, and (2) this device must accept any interference received, including interference that may cause undesired operation.

FCC NOTE: The manufacturer is not responsible for any radio or TV interference caused by unauthorized modifications to this equipment. Such modifications could void the user's authority to operate the equipment.

NOTE: This equipment has been tested and found to comply with the limits for a Class B digital device, pursuant to Part 15 of the FCC Rules. These limits are designed to provide reasonable protection against harmful interference in a residential installation. This equipment generates, uses and can radiate radio frequency energy and, if not installed and used in accordance with the instructions, may cause harmful interference to radio communications. However, there is no guarantee that interference will not occur in a particular installation. If this equipment does cause harmful interference to radio or television reception, which can be determined by turning the equipment off and on, the user is encouraged to try to correct the interference by one or more of the following measures:

- Reorient or relocate the receiving antenna.
- Increase the separation between the equipment and receiver.
- Connect the equipment into an outlet on a circuit different from that to which the receiver is connected.
- Consult the dealer or an experienced radio/TV technician for help.

ICES-3(B)/NMB-3(B).

Control Remoto Universal



Manual de Instrucciones



Introducción

Felicitaciones por comprar este control remoto universal de GE. Este control remoto puede operar miles de aparatos de audio/video incluso TV, reproductores de Dvd/Blu-ray™, reproductores de multimedia en línea, barras de sonido, receptores de cable y mucho más.

GUARDE ESTE MANUAL Y LA LISTA DE CÓDIGOS PARA REFERENCIA FUTURA.

Introducción.....	18
Configuración.....	19
Funciones de los botones.....	20
Programación del control remoto	22
Entrada directa de códigos	22
Búsqueda automática de códigos	24
Control de Aparatos Combinados.....	25
Función de retroiluminación a color	26
Uso del control remoto	27
Característica de volumen maestro	27
Identificación de códigos.....	28
Restablecimiento de la configuración de fábrica.....	28
Resolución de problemas	29
Garantía.....	30
Declaración de la Comisión Federal de Comunicaciones (FCC).....	31

Configuración

El control remoto universal usa (2) baterías AAA (no incluidas). Se recomienda usar baterías alcalinas.

Instalación de las baterías

1. En la parte posterior del control remoto, presione hacia abajo sobre la superficie texturada y deslice la tapa de las baterías para quitarla.
2. Inserte (2) baterías AAA de modo tal que las marcas (+) y (-) de las baterías coincidan con las marcas (+) y (-) en el interior del compartimento de las mismas. Asegúrese de usar baterías nuevas.
3. Coloque la tapa de las baterías levemente por debajo de la abertura y presione hacia arriba hasta que quede trabada.

NOTA: Si su control remoto deja de funcionar correctamente, reemplace las pilas por otras nuevas.

Precauciones respecto de las baterías

- No mezcle baterías usadas y nuevas.
- No combine el uso de pilas alcalinas, comunes (de tipo carbono-cinc) o recargables (Ni-Cd, Ni-MH, etc.).
- Quite siempre de inmediato las baterías viejas, con poca carga o agotadas y recíclelas o deséchelas conforme a las regulaciones locales y nacionales.

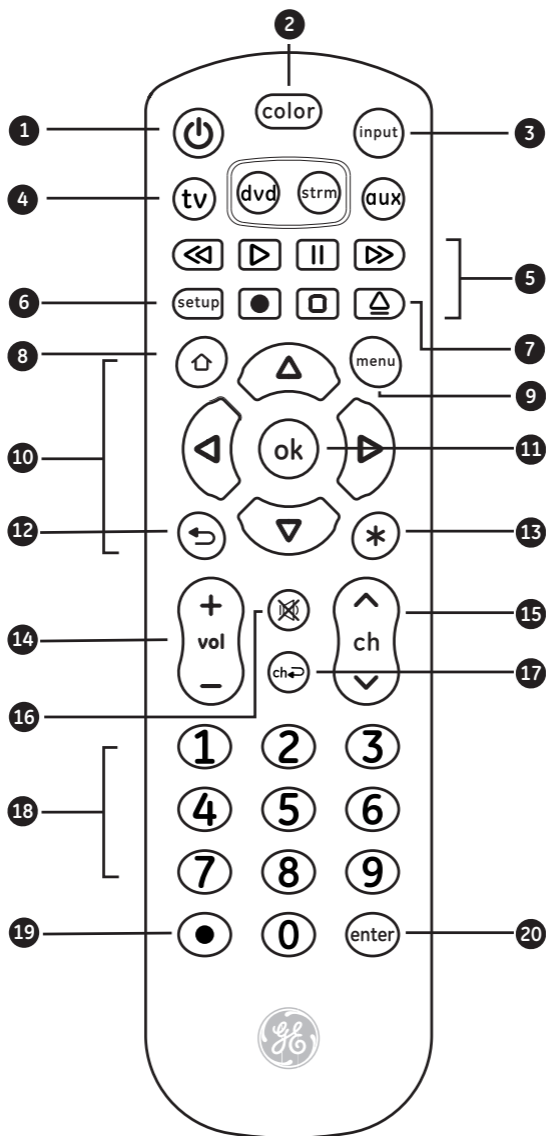
Ahorrador de las baterías

En forma automática, el control remoto se apaga si los botones se mantienen presionados durante más de ocho (8) segundos. Esto posibilita el ahorro de las baterías, en el caso de que el control remoto quede atrapado en un lugar donde los botones permanezcan presionados (por ej., entre los almohadones del sofá).

Ahorrador de códigos

Tiene hasta 10 minutos para cambiar las baterías del control remoto sin perder los códigos que haya programado.

Funciones de los Botones



Funciones de los Botones

1. **Encendido/Apagado** - Enciende o apaga los aparatos
2. **Retroiluminación a color** - Cinco opciones de colores para la retroiluminación – azul, verde, blanco, rojo y amarillo
3. **Input** - Selecciona las entradas de video
5. **Grabar, Poner, Parar, Rebobinar, Adelantar, Pausa**
4. **TV, dvd, aux, strm** - Selecciona el aparato que desea controlar
6. **Setup** - Utilizado para programar el control remoto
7. **Botón para abrir y cerrar el reproductor de dvd/Blu-ray™** - abrir y cerrar un reproductor de vídeo, o **Lista** de características en los receptores de cable y satélite
8. **Inicio y Guía** - Acceder fácilmente a funciones sobre dispositivos de transmisión de contenido web, o **Guía** a receptores de cable/satélite
9. **Menu** - Muestra el menú en pantalla
10. **Flechas para navegación** - Para moverse hacia arriba, abajo, izquierda y derecha en los menús
11. **Ok** - Selecciona los elementos del menú para el dispositivo que está controlando
12. **Exit** - cierra los menús de pantalla
13. **Info** - Muestra en pantalla información del programa y contenido
14. **Volumen arriba/abajo** - Controla el audio en el dispositivo seleccionado
15. **Subir/Bajar canales** - permiten cambiar los canales
16. **Mute** - Apaga el sonido
17. **Canal anterior** - permite volver al canal seleccionado previamente
18. **Números** - Se usa para seleccionar un canal directamente
19. **Punto (•)** - Se usa para seleccionar los canales digitales, p. ej., 4.1
20. **Ingresar** - Asiste en la selección de canales en algunos dispositivos

Programación del control remoto

Este control remoto universal marca GE está diseñado para controlar múltiples aparatos de audio/video mediante el uso de un único control remoto. Para usar este control remoto, deberá programarlo para controlar los aparatos. Hay dos formas de programar el control remoto:

Entrada directa de códigos o Búsqueda automática de códigos.

- La **Entrada directa de códigos** es el método recomendado ya que en la mayoría de los casos es el más sencillo y el más rápido.
- El método **Búsqueda automática de códigos** busca por todos los códigos en el control remoto para encontrar un código para el aparato.

Nota: Este control remoto está preprogramado para cajas de Roku® y televisores Samsung. Pulse **TV** para televisores Samsung y **strm** para cajas Roku.

Entrada Directa de Códigos (recomendado)

1. Busque la **Lista de códigos** incluida con el control remoto. Encuentre la sección correspondiente al tipo de dispositivo que desea controlar (por ejemplo **TV, dvd, strm, aux**). Localice la marca del dispositivo y marque con un círculo cada uno de los códigos de control remoto de la marca.
2. Presione y mantenga presionado el botón **SETUP** (Configuración) hasta que la luz roja del control remoto se encienda. Suelte el botón **SETUP**. La luz roja permanecerá encendida.

setup

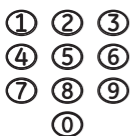
Nota: la luz roja será una luz pequeña ubicada en la parte superior del control remoto o el botón de encendido/apagado.

3. En el control remoto, presione y suelte el botón que corresponda al tipo de aparato que desea controlar, por ejemplo, **TV, dvd, strm, aux**. La luz roja parpadeará una vez y permanecerá encendida.

tv

Nota: cualquiera de los botones de dispositivo en el control remoto puede ser programado para controlar cualquiera de los dispositivos. Por ejemplo, puede usar el botón **aux** del control remoto para controlar un receptor de satélite, decodificador digital, reproductor multimedia en línea o cualquier categoría de dispositivos que aparezca en la lista de códigos.

Programación del control remoto



4. Use los botones de números del control remoto para introducir el primer código remoto de 4 dígitos que encerró en un círculo en la **Lista de códigos** en el Paso 1. La luz roja se apagará después de introducir el cuarto dígito.

5. Apunte el control remoto hacia el dispositivo. Pruebe los botones en el control para ver si el dispositivo responde como debería ser. Si los botones no accionan el dispositivo, vuelva al Paso 2 y use el siguiente código que encerró en un círculo para dicho dispositivo.

6. Repita este proceso para cada dispositivo que desee controlar.



Notas de programación

- Es posible que algunos códigos solo ejecuten algunas funciones del dispositivo. Es probable que haya otro código en la **Lista de códigos** que ejecute más funciones. Pruebe otros códigos de la **Lista de códigos** para obtener más funcionalidades.
- Si no encuentra un código que funcione con su dispositivo o en la **Lista de códigos** no aparecen códigos para el dispositivo, use el método **Búsqueda automática de códigos** en la siguiente sección para programar el control remoto.
- En el caso de dispositivos integrados, como por ejemplo, combinación TV/DVD o TV/ VCR, quizá deba ingresar un código para cada dispositivo. Consulte la sección relacionada con el Control de aparatos integrados.
- Escriba los códigos que sirven para programar el aparato para consultas futuras.

Búsqueda automática de códigos

La Búsqueda automática de códigos es un proceso mediante el cual puede buscar por todos los códigos almacenados en el control remoto para encontrar un código para el dispositivo. Se recomienda que lea todos los pasos a continuación para familiarizarse con la **Búsqueda automática de códigos** antes de comenzar el proceso.

1. Encienda manualmente el dispositivo que desea controlar.

Nota: el proceso Búsqueda automática de códigos no se puede usar para dispositivos sin la capacidad de encendido/apagado. En estos casos, use el método Entrada directa de códigos.



2. Presione y mantenga presionado el botón **SETUP** (Configuración) hasta que la luz roja del control remoto se encienda. Suelte el botón **SETUP**. La luz roja permanecerá encendida.

Nota: la luz roja será una luz pequeña ubicada en la parte superior del control remoto o en el botón de encendido/apagado.



3. En el control remoto, presione y suelte el botón que corresponda al tipo de aparato que desea controlar (por ejemplo **TV, dvd, strm, aux**). La luz roja parpadeará una vez y permanecerá encendida.



4. Apunte el control remoto hacia el dispositivo y presione y suelte el botón **POWER** en el control. El control enviará 10 códigos diferentes al dispositivo. La luz roja parpadeará una vez para cada código y permanecerá encendida después de enviar los 10 códigos.

¿Se apagó el dispositivo?

- Si la respuesta es **Afirmativa**, proceda al Paso 5.
- Si la respuesta es **Negativa**, repita el Paso 4 para probar los 10 códigos siguientes.

5. Vuelva a encender manualmente el dispositivo.
6. Apunte el control remoto hacia el dispositivo y presione y suelte el botón **VOL +**. El control remoto volverá a enviar el primero de los 10 códigos del Paso 4. La luz roja parpadeará una vez y permanecerá encendida.



Programación del control remoto

¿Se apagó el dispositivo?

- Si la respuesta es **AFIRMATIVA**, significa que ha encontrado un código para el dispositivo. Presione y suelte el mismo botón que oprimió en el Paso 3. Esta acción almacenará el código en el control remoto. Proceda al Paso 7.
- Si la respuesta es **NEGATIVA**, siga oprimiendo y soltando el botón **VOL +** hasta que se apague el dispositivo para probar los otros 9 códigos del Paso 4. Asegúrese de esperar aproximadamente **3 segundos** después de cada presión del botón **VOL +** para que el dispositivo tenga tiempo de responder al código. Cuando se apague el dispositivo, significa que ha encontrado un código para el mismo. Presione y suelte el mismo botón que oprimió en el Paso 3. Esta acción almacenará el código en el control remoto. Proceda al Paso 7.



Notas especiales:

- El botón **VOL -** se puede usar para retroceder por cada conjunto de 10 códigos.
- La luz roja parpadeará dos veces después de probar el primero o el último código de cada conjunto de 10.

7. Use el control remoto para volver a encender el dispositivo. Pruebe los botones en el control para ver si el dispositivo responde como debería ser. Si los botones no accionan el dispositivo, vuelva al Paso 2 y repita este proceso para buscar un código que sea mejor.



8. Repita este proceso para cada dispositivo que desee controlar.

Control de aparatos combinados

En algunos aparatos integrados (p. ej., TV/VCR, TV/DVD, DVD/VCR, etc.) deberá programar dos botones diferentes para controlar ambas partes del aparato. Por ejemplo, si usted tiene un TV/DVD integrados, es probable que tenga que programar un código en el botón de **TV** para controlar la parte del TV y un código separado en el botón de **dvd** para controlar la parte del dvd.

Característica de luz de retroiluminación con selección del color

Seleccione de entre seis opciones de color o apague la luz de retroiluminación.



1. Presione y suelte el botón COLOR para alternar entre cinco opciones de color: azul, verde, blanco, rojo y amarillo.
2. Cuando se selecciona la luz de retroiluminación deseada, las teclas del control remoto se iluminan en ese color cuando se presiona cualquier botón.

Característica de volumen maestro

La característica de volumen maestro le permite seleccionar un solo dispositivo que siempre es controlado por los botones de volumen. Por ej., el control remoto puede estar en el modo de televisor mientras que los botones de volumen controlan el volumen del receptor de audio o la barra de sonido en lugar del televisor.

Activación de la característica de volumen maestro



1. Presione y mantenga presionado el botón **SETUP** (Configuración) hasta que la luz roja del control remoto se encienda. Suelte el botón **SETUP**. La luz roja permanecerá encendida.



2. En el control remoto, presione y suelte el botón (**TV, dvd, strm, aux**) que corresponda al tipo de aparato para el que desea controlar el volumen.



3. Presione y suelte el botón **Mute/Silencio**.



4. Presione y suelte el botón **VOL +**. La luz roja parpadeará dos veces y se apagará.

Desactivación de la característica de volumen maestro



1. Presione y mantenga presionado el botón **SETUP** (Configuración) hasta que la luz roja del control remoto se encienda. Suelte el botón **SETUP**. La luz roja permanecerá encendida.



2. Presione y suelte el botón del aparato (**TV, dvd, strm, aux**) que se haya programado para controlar la función de volumen maestro.



3. Presione y suelte el botón **Mute/Silencio**.



4. Presione y suelte el botón **VOL -**. La luz roja parpadeará dos veces y se apagará.

Identificación de Códigos

setup

1. Presione y mantenga presionado el botón **SETUP** (Configuración) hasta que la luz roja del control remoto se encienda. Suelte el botón **SETUP**. La luz roja permanecerá encendida.

tv

2. En el control remoto, presione y suelte el botón correspondiente al aparato (**TV, dvd, strm, aux**) para el que desee obtener el código.

enter

3. Presione y suelte el botón **ENTRAR**.

① ② ③
④ ⑤ ⑥
⑦ ⑧ ⑨
⑩

4. Presione y suelte el botón **n.º 1**. Cuente la cantidad de veces que la luz del control remoto parpadea. Este el número correspondiente al primer dígito del código. Repita el proceso al presionar los botones **0 2, n.º 3 y n.º 4** para los dígitos restantes.

enter

5. Presione y suelte el botón **ENTRAR** para salir de este modo.

Restablecimiento de la configuración de fábrica

setup

1. Presione y mantenga presionado el botón **SETUP** (Configuración) hasta que la luz roja del control remoto se encienda. Suelte el botón **SETUP**. La luz roja permanecerá encendida.

⊗

2. Presione y suelte el botón **Mute/Silencio**.

0

3. Presione y suelte el botón **n.º 0**. La luz indicadora roja parpadeará dos veces.

El control remoto no funciona con su aparato.

- Asegúrese de que las pilas sean nuevas y estén bien colocadas.
- Apunte a su dispositivo directamente con el control remoto.
- Asegúrese de que se pueda seleccionar el dispositivo adecuado - **tv** para **tv** y **aux** para barra de sonido.
- Un código puede servir para algunas funciones del aparato pero no todas. Programe el control remoto con un código de la lista de varios códigos. Consulte la sección **Entrada directa de códigos**.
- Es posible que el control remoto no sea compatible con su dispositivo.

El remoto no funciona para algunas de las funciones de su dispositivo.

- A veces un código puede servir para algunas funciones del aparato pero no todas. Intente programar el control remoto con un código de la **lista de códigos distinto**. Consulte la sección **Entrada directa de códigos**.
- Es posible que el control remoto no sirva para todas las funciones de su dispositivo o bien que algunos nombres de los botones sean diferentes de los del control remoto original.

Si tiene alguna pregunta o le gustaría recibir información adicional, visite nuestro sitio web www.byjasco.com, o comuníquese con nuestro equipo de soporte técnico al 1-800-654-8483, de lunes a viernes de las 7:00 a. m. a las 8:00 p. m. CST (hora central estándar).

Garantía Limitada de 90 Días

Jasco Products Company garantiza que este producto está libre de defectos de fabricación durante un lapso de noventa días desde la fecha de compra original del consumidor. Esta garantía está limitada a la reparación o el reemplazo de este producto solamente y no cubre los daños consecuentes o accidentales a otros productos que puedan usarse con esta unidad. Esta garantía prevalecerá sobre cualquier otra garantía expresa o implícita. Algunos estados no permiten la aplicación de limitaciones respecto de la duración de una garantía implícita o no permiten la exclusión o limitación de la cláusula sobre daños incidentales o consecuentes, por lo que las limitaciones mencionadas pueden no aplicarse en su caso. Esta garantía le otorga derechos específicos y es posible que tenga otros derechos que pueden variar según el estado en el que vive. En el caso de que la unidad presente fallas dentro del período de la garantía, devuélvala mediante envío prepago junto con el comprobante de compra fechado a:

Jasco Products Company
10 E Memorial Rd.
Oklahoma City, OK 73114

HECHO EN CHINA

GE es una marca comercial de General Electric Company con licencia otorgada a Jasco Products Company LLC, 10 E. Memorial Road, Oklahoma City, OK 73114.

Este producto de Jasco tiene una garantía limitada de 90 días. Visite www.byjasco.com para conocer los detalles de la garantía.

¿Tiene preguntas? Comuníquese al 1-800-654-8483 entre las 7:00 a. m. y las 8:00 p. m. CST (hora central estándar).

Declaración de la FCC

Este dispositivo cumple con el apartado 15 de la normativa de la FCC. El funcionamiento está sujeto a las dos condiciones siguientes:

(1) este dispositivo no causa interferencia negativa y (2) este dispositivo debe aceptar las interferencias recibidas, incluidas las interferencias que puedan causar un funcionamiento no deseado.

NOTA DE LA FCC: El fabricante no se hace responsable de ninguna interferencia de radio o TV ocasionada por modificaciones no autorizadas efectuadas a este aparato. Dichas modificaciones podrían anular la autoridad del usuario para utilizar este aparato.

NOTA: Este equipo ha sido probado y cumple con los límites para aparatos digitales de Clase B, de conformidad con el apartado 15 de la normativa de la FCC. Estos límites están diseñados para proveer protección razonable contra interferencias perjudiciales en instalaciones residenciales. Este equipo genera, usa y puede irradiar energía de radiofrecuencias y, si no se instala y usa según las instrucciones, puede provocar interferencia perjudicial a las radiocomunicaciones. No obstante, no es posible garantizar que no se producirán interferencias en una determinada instalación. Si este equipo genera alguna interferencia perjudicial a la recepción de radio o televisión, lo que puede determinarse encendiendo y apagando el equipo, se recomienda que el usuario intente corregir la interferencia aplicando una o más de las siguientes medidas:

- Cambiar la orientación o el lugar de la antena receptora.
- Incrementar la separación entre el aparato y el receptor.
- Conectar el aparato a un tomacorriente de un circuito diferente del circuito al que el receptor está conectado.
- Consultar al distribuidor o a un técnico con experiencia en radio/televisión para solicitar ayuda.

ICES-3(B)/NMB-3(B).

MADE IN CHINA

GE is a trademark of General Electric Company and is under license by Jasco Products Company LLC, 10 E. Memorial Rd., Oklahoma City, OK 73114.

This Jasco product comes with a 90-day limited warranty. Visit www.byjasco.com for warranty details.

Questions? Contact our U.S.-based Consumer Care at 1-800-654-8483 between 7AM—8PM CST.

44220 V1
3/29/2019